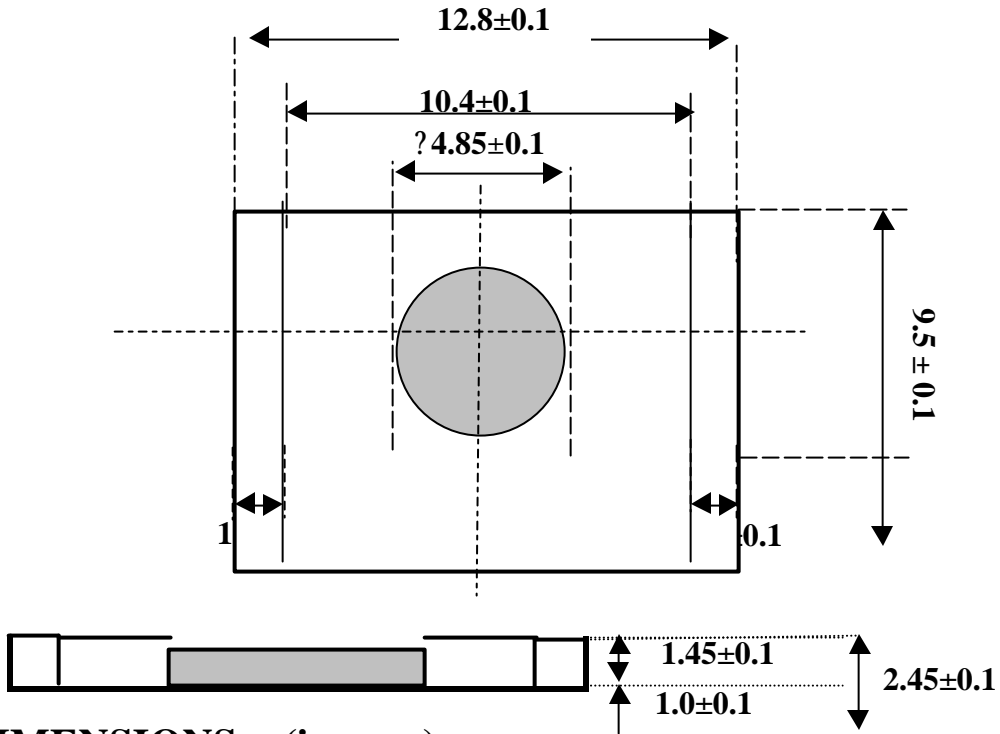


PRODUCT SPECIFICATIONS
PART NO. ER12.8-4.9—SF57



A. DIMENSIONS (in mm.)
Refer To Above Drawing

B. A_L Value, at frequency of 100kHz, Voltage 1.0V
Spec: $60 \pm 15\%$

C. Operating Temperature: -40 to 200^0 C.