

SPECIFICATION

DRAWING NO.

3110-YT-007

CUSTOMER	ITEM	CUSTOMER DRAWING NO.
ALLIANCE	B=6.4 E9H SDRI 12.67.1	

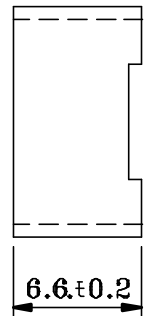
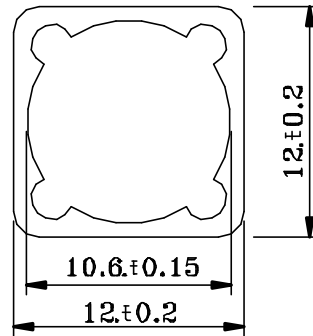
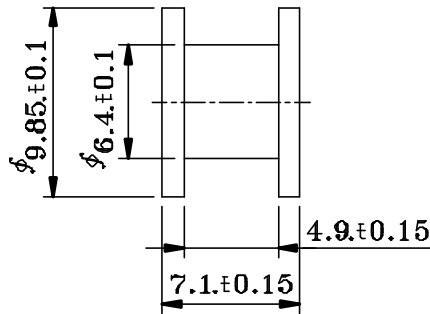
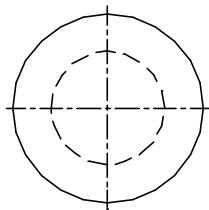
MAT'L	METHOD	UNIT	SCALE	DESIGN	YEAR	MONTH	DAY	APPVD	CHKD	DWN
E9H		m/m		2001	3		13			

REVISION	1.	YEAR	MONTH	DAY
	2.	YEAR	MONTH	DAY
	3.	YEAR	MONTH	DAY

DIMENSION:

DR

SRI



ELECTRICAL CHARACTERISTICS:

LOA: 47μH ±20%

L2.5A: 0.9LoA

DCR: 100mΩ MAX

WIRE SIZE: φ0.45 2UEW

TURNS: 26^{1/2}

FRE: 1KHZ 1V

METER: HP4284A&HP42841A



YENG TAT ELECTRONICS CO., LTD.

F136