

# SPECIFICATION

ヲWヲ ｸｸ ｸX  
DRAWING NO.

**3110-YT-006**

ヲU ｸD  
CUSTOMER

**ALLIANCE**

ヲW  
ITEM

**E9H SDRI 12.5.2**

**B=4.9**

ヲU ｸWヲ ｸｸ ｸX  
CUSTOMER DRAWING NO.

ヲ MAT'L  
**E9H**

ヲ METHOD  
m/m

ヲ UNIT  
m/m

ヲ SCALE

ヲW 2001 3 13  
DESIGN YEAR MONTH DAY

ヲE ｸ  
APPVD

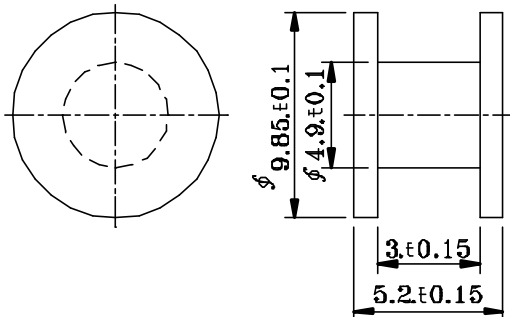
ヲT ｸ  
CHKD

ヲ DWN

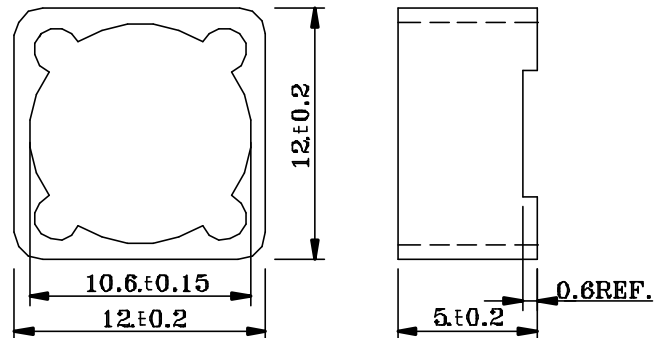
ヲ ｸ REVISION	1.	ヲ YEAR	MONTH	DAY
2.	ヲ YEAR	MONTH	DAY	
3.	ヲ YEAR	MONTH	DAY	

## DIMENSION:

**DR**



**SRI**



## ELECTRICAL CHARACTERISTICS:

LoA: 220  $\mu$ H  $\pm$ 20%

LoA  $\geq$  L  $\Delta$   $\geq$  90%

DCR: 0.4 MAX

WIRE SIZE:  $\phi$ 0.29 2UEW

TURNS: 54  $\frac{1}{2}$ TS

FRE: 1KHZ 1V

METER: HP4284A&HP42841A

